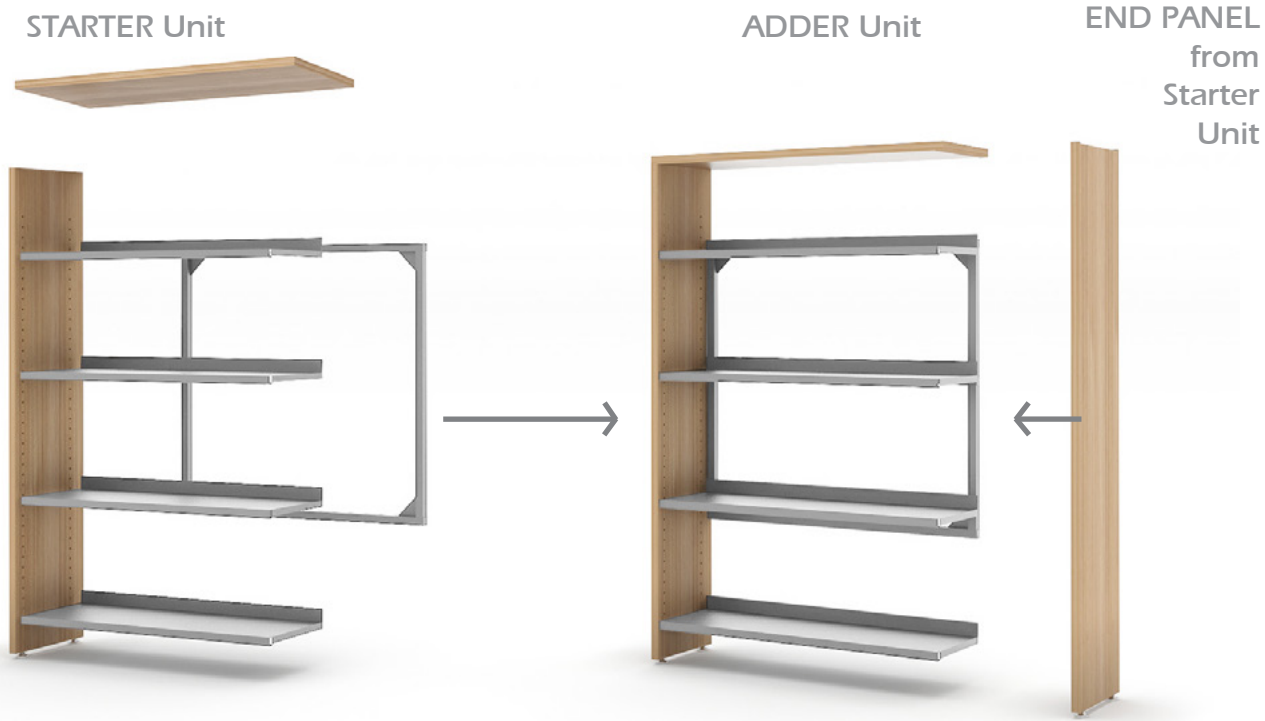


STARTER/ADDER PROGRAM & HOW TO ORDER



The Uno Shelving Starter and Adder program provides the ordering guideline based on the requirements of the order, while maximizing the use of space and budget available.

Begins with the selection of a starter unit, as a single face or double face starter model. Followed by choosing the adder model that matches the specs of the starter model of the same height, depth and width for additional bays in any shelving run. One mid panel is included with every adder unit. The end panel from the starter unit will go at the end of the shelving run. See illustration above for reference. For more details and options, consult your sales representative before placing an order.






Single face units must rest against a wall and/or be anchored to the floor or ceiling.


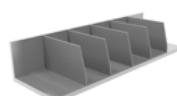
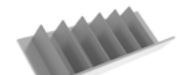


Double face units may be freestanding and placed in the center of a room.

SHELF OPTIONS

Can accommodate up to a weight load of 45 lbs. per square feet.

-  **FLAT STANDARD METAL SHELF**
 - Widths are 24", 30" & 36"
 - Depths are 10", 12" & 14"
-  **LOW BACK METAL SHELF**
 - Widths are 24", 30" & 36"
 - Depths are 10", 12" & 14"
-  **SLOTTED METAL SHELF**
 - Widths are 24", 30" & 36"
 - Depths are 10" & 12"

-  **METAL MAGAZINE SHELF**
 - Widths are 24", 30" & 36"
 - Height is 12"
-  **METAL PICTURE BOOK SHELF**
 - Widths are 24", 30" & 36"
 - Depth is 12"
 - Height is 5"
-  **METAL MEDIA SHELF**
 - Widths are 24", 30" & 36"
 - Depth is 5"
 - Height is 12"

PLANNING GUIDE

The most common way to calculate book capacity is on a linear feet basis. A common average for public and school libraries is 9.6 books per linear feet. For children's section capacity in both elementary schools and public libraries this may be raised to 16.3 books per linear feet. The shelving capacity for academic libraries is commonly averaged to be 8 books per linear feet. Based on a 36" wide shelving unit, a per shelf capacity of 29 adult, 49 children, and 24 academic books can be established.

Uno shelving is available in 8 standard heights: 30", 36", 42", 48", 60", 72", 84", and 96"; 3 standard widths: 24", 30", and 36" in both single face and double face depths.




Shelving Height	Number of Shelves	Adult Book Capacity/Unit			Children Book Capacity/Unit			Academic Book Capacity/Unit		
		24" W	30" W	36" W	24" W	30" W	36" W	24" W	30" W	36" W
30"	2 Shelves (1 adjustable and 1 base)	38	48	58	66	82	98	32	40	48
36"	2 Shelves (1 adjustable and 1 base)	38	48	58	66	82	98	32	40	48
42"	3 Shelves (2 adjustable and 1 base)	57	72	87	99	123	147	48	60	72
48"	3 Shelves (2 adjustable and 1 base)	57	72	87	99	123	147	48	60	72
60"	4 Shelves (3 adjustable and 1 base)	76	96	116	132	164	196	64	80	96
72"	5 Shelves (4 adjustable and 1 base)	95	120	145	165	205	245	80	100	120
84"	6 Shelves (4 adjustable, 1 fixed and 1 base)	114	144	174	Height not recommended			96	120	144
96"	7 Shelves (5 adjustable, 1 fixed and 1 base)	133	168	203	Height not recommended			112	140	168

The above formula is intended to provide for 10% expansion within a shelving unit before it is completely full. This will allow for circulation of books without the need of displacing existing books that are already shelved.

The metal shelves have a loaded weight capacity of 45 lbs. per square feet, without deflection in excess of 3/32". Double face shelving units have twice the above stated capacities.

OTHER SHELF OPTIONS & ACCESSORIES

Recommended options, but not limited to.

-  **METAL GROOVED BOTTOM SHELF**
 - Widths are 24", 30" & 36"
 - Depths are 10", 12" & 14"
 - Height is 10"
-  **WIRE BOOK SUPPORT**
 - Height is 7"
-  **METAL BACK FRAME**
 - Widths are 24", 30" & 36"